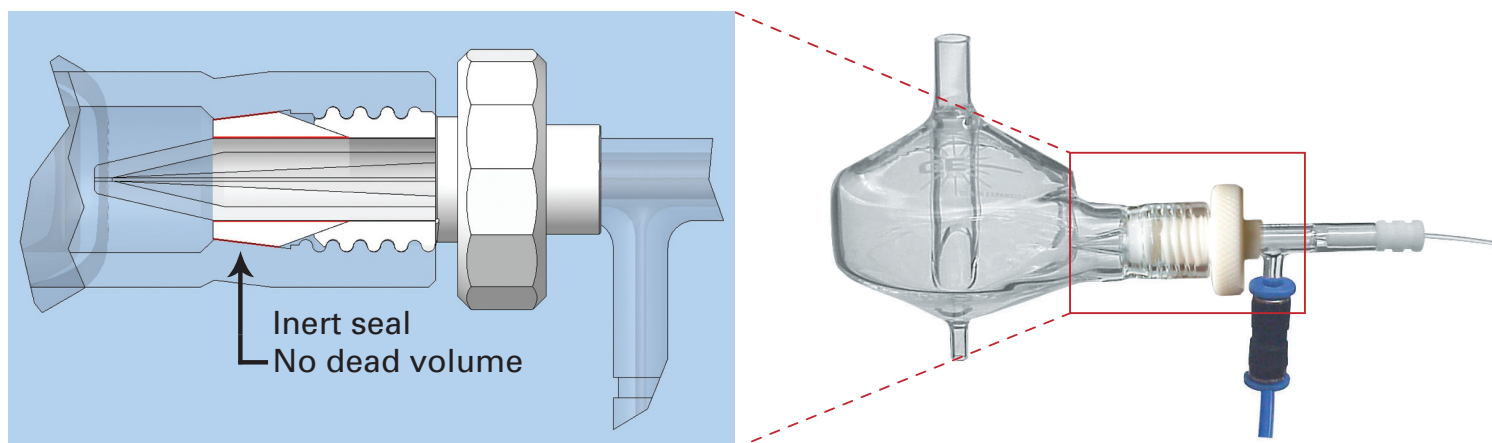


# Helix

the modern interface  
between nebulizer  
and spray chamber



Most ICP spectrometers rely on an o'ring seal between the nebulizer and the spray chamber. This design may result in extended washout times due to dead volume around the seal. The Helix eliminates dead volume, resulting in faster washout times and higher sample throughput. Also, even the most chemically resistant o'rings are prone to wear and tear and require regular replacement. They also tend to bond to a glass nebulizer, making the nebulizer difficult to remove. To eliminate all of these problems, Glass Expansion has developed Helix - the user friendly nebulizer/spray chamber interface.

- Faster washout times due to elimination of dead volume around the nebulizer seal
- No o'rings to replace
- Totally inert - impervious to organic solvents and strong acids
- Smooth nebulizer insertion and removal
- Special release/lock mechanism seals the chamber
- Positive stop to ensure correct nebulizer position

To order your preferred spray chamber with the Helix, add HE to the end of the part number.



**GLASS EXPANSION**

Quality By Design

**Head Office (Australia)**

6 Central Boulevard  
Port Melbourne VIC 3207  
Australia  
A.B.N. 35 006 560 032

Telephone: +61 3 9320 1111  
Toll Free (Aust): 1800 777 638  
Facsimile: +61 3 9320 1112  
Email: [enquiries@geicp.com](mailto:enquiries@geicp.com)  
[www.geicp.com](http://www.geicp.com)

**USA Office**

4 Barlows Landing Road  
Unit #2  
Pocasset, MA 02559  
USA

Telephone: 508 563 1800  
Toll Free: 800 208 0097  
Facsimile: 508 563 1802  
Email: [geusa@geicp.com](mailto:geusa@geicp.com)

For your nearest Glass Expansion distributor, visit our website at [www.geicp.com](http://www.geicp.com)